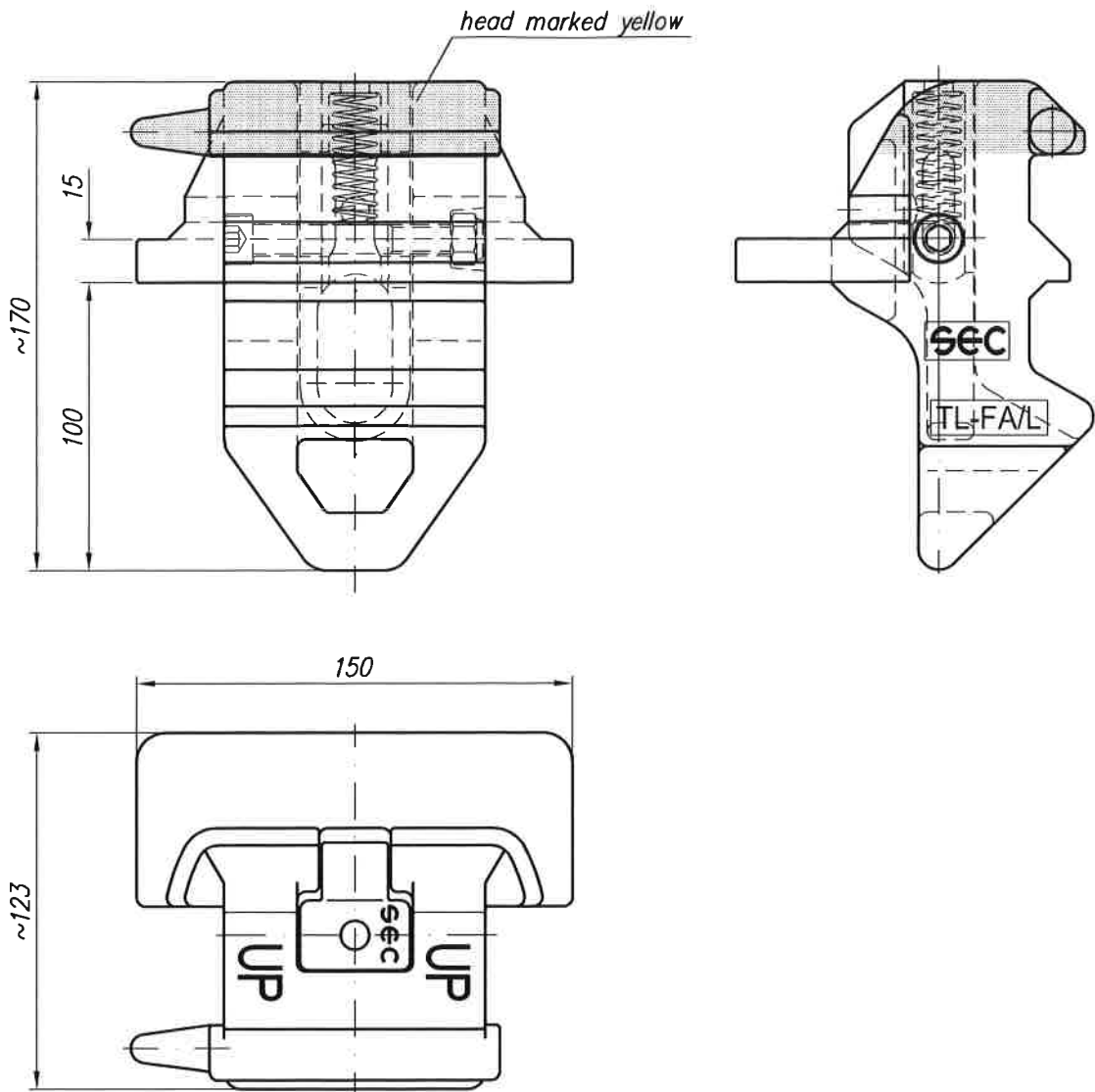


Technical alterations reserved 03.2005



Item Code	Breaking Load (kN)	Treatment	Weight (kg)
TL -C9112C.000.54	Tension 500, Shear 420	hot dip galvanized	~ 5.7

Class approval : Available from any classification society

Material : high tensile cast steel

Info / Remark :